

CODE NUMBER

1171019

DESCRIPTION

Vitreous China Washdown Urinal with SloanTec® Glaze.

DETAILS

- Flush Volume: 0.125–1.0 gpf (0.5–3.8 Lpf)
- Flush volume determined by the flushometer used with the fixture
- Nominal Dimensions: 14 ¼" × 17 ¼" × 25 ½" (362 × 438 × 648mm)

FEATURES

- White Vitreous China
- Permanent SloanTec™ hydrophobic antimicrobial glaze inhibits the growth and buildup of germs, bacteria, mold, mildew and mineral scale on the surfaces
- Washdown flushing action
- Integral flushing rim
- ¾" I.P.S. rear spud inlet
- 2" NPT outlet flange
- Vandal resistant strainer assembly included
- All mounting hardware included
- 100% factory flush tested

PLUMBING SYSTEM REQUIREMENTS

- Minimum Flowing Pressure: 25 PSI (172 kPa)
- Maximum Static Pressure: 80 PSI (552 kPa)
- Maximum Flow Rate: 8.5 gpm (32 Lpm)

DOWNLOADS

- [Standard Spud Urinal Installation Instructions](#)
- [SS/ST/SU/WETS/WEUS Fixtures Repair and Maintenance Guide](#)
- [Additional Downloads](#)



COMPLIANCES & CERTIFICATIONS



(ADA Compliant, BREEAM Materials Credit, cUPC Green Certified, EPD, Green Globes Materials & Resources Credit, HPD, LEED Materials & Resources EPD Credit, LEED Materials & Resources HPD Credit, Satisfies LEED Credits, WaterSense Listed)

NOTES

All information contained within this document subject to change without notice.

All vitreous china dimensions shown in these drawings are nominal and not to scale. Dimensions can vary within the tolerances established in the governing ASME A112.19.2/CSA B45.1 standard. It is important to consider this when planning rough-in and plumbing layouts.

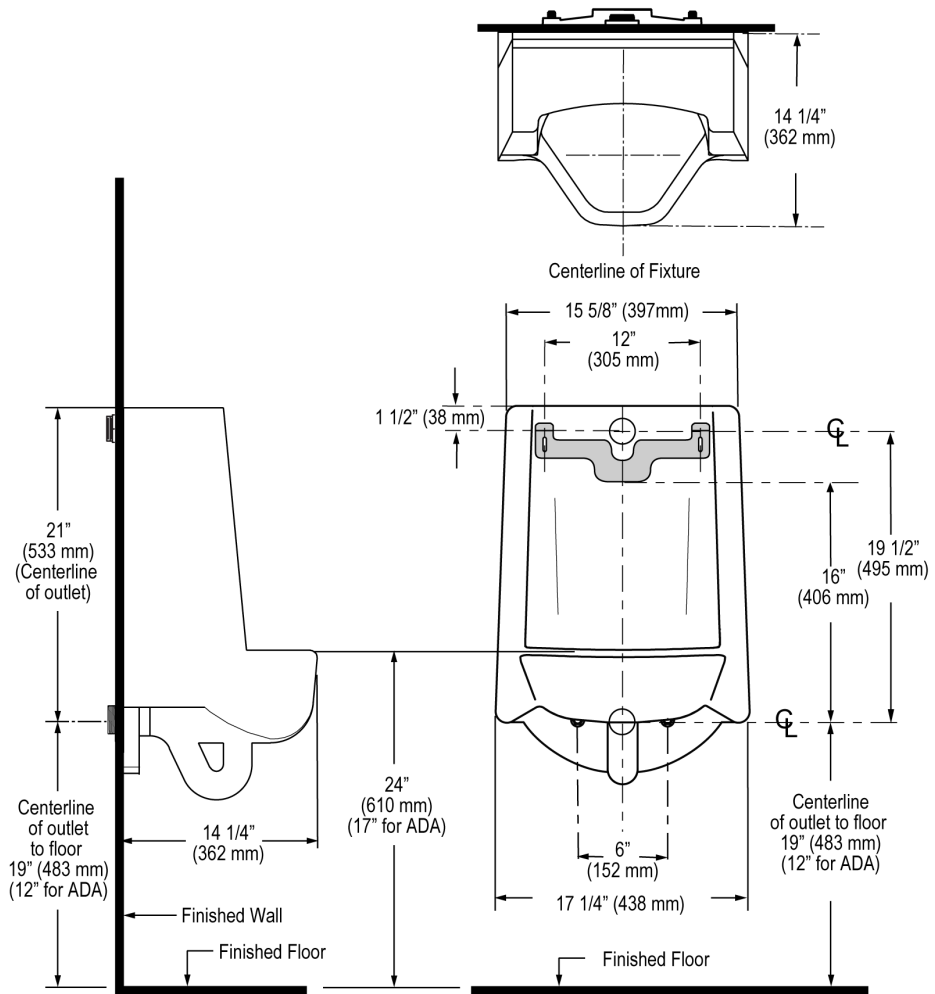
WaterSense compliant when used with a WaterSense compliant flushometer.

[Find a compatible flushometer](#) for this urinal.

Sloan 10500 Seymour Ave, Franklin Park, IL 60131

Phone: 800.982.5839 • Fax: 800.447.8329 • sloan.com

ROUGH-IN



NOTE: ADA urinal rim height requirements allow all heights 17" and below. Sloan strongly recommends roughing in the drain to achieve a 16½" rim height or less to ensure compliance.